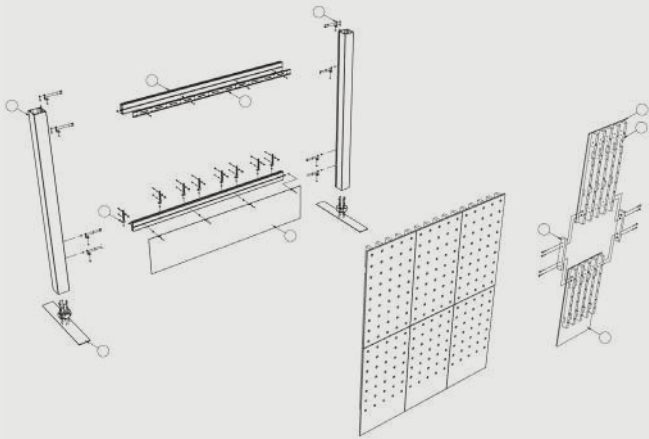


adaptiv
DIC

myWall.



Form and Function, Every Time.

myWall.

MODULAR RETAIL SYSTEM

Most versatile retail system on the market in the United States.

AdaptivDC is the proud provider of the (Thinkterior) myWall Inline Display System, a breakthrough in display hardware, and provides design, fabrication and installation to business clients across the United States.

The benefits of the myWall Inline Display System in a retail setting are limited only by the imagination--ours and yours. We're confident that between us, any retail space can benefit from the versatility of the myWall system.

Retailers can set up their myWall system to maximize retail space and storage. It's also an excellent way to install and easily move monitors displaying entertainment and/or marketing content to your customers in real time. Have an open space in your shop? Use a myWall freestanding structure to fill it with money-making product and eye-pleasing design items. Need to set up an art installation, or multiple installation? This is the perfect system to do all of that and more.

The myWall Inline Display System is an out-of-the-box retail solution that allows you to customize your booth according to the needs of the day. It's load bearing (pile on the product!); easy to assemble/disassemble; and its' high-quality design and construction give you the ability to sell your products to the best effect again and again. The wide range of available accessories allow additions and modifications of your store over time, and are very competitively priced.

Form and Function, Every Time.



Load bearing system

myWall.

Overall system is customizable into many other structure shapes and configurations.

Key Point!

myWall's patent pending locking pin system allows users to use both the front or back of the wall panels for product display, storage, and increased marketing surface.

Thanks to the locking pins, myWall becomes an ultra safe display surface capable of handling all the equipment and product you want to throw at it.

ABOUT MYWALL

The myWall Inline Retail System is the perfect piece of mobile point of sales for companies looking to make their location stand out. Rooted in design cues derived from both Scandinavian and Japanese design, the high-quality myWall system is designed to provide companies with a mobile, modular and customizable display system ready to be used time and again. It's extremely sturdy and load bearing--perfect for product display no matter the weight. Finally, the freedom to display your brand and products in a way that will stand out to every crowd, every time.

KEY FEATURES

- High-end design
- Easily customizable, wide variety of accessories
- Sturdily crafted
- Increase ROI, use again and again
- Easy to assemble, minimal tools
- Don't be generic, stand out
- Cost efficient compared to fully customized solutions
- Complete customization with modular plug-and-play shelving
- Durable, environmentally friendly hardwood panels (recycled aluminum & renewable rubber wood)
- Modular savings: start simple and build up on a budget
- Structural support for products, displays, TV's, etc.
- Load bearing system for heavy object display



* Custom items available upon request

myWall.

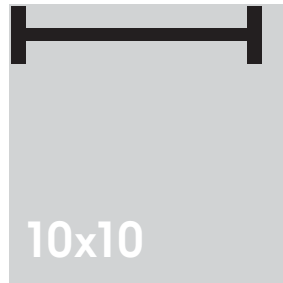
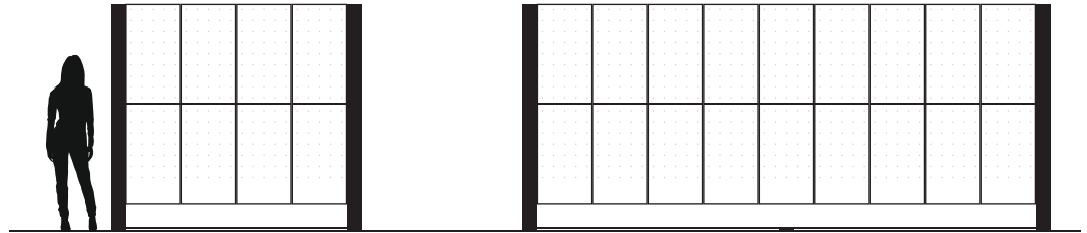
SAMPLE USES



myWall.

RETAIL STRUCTURES

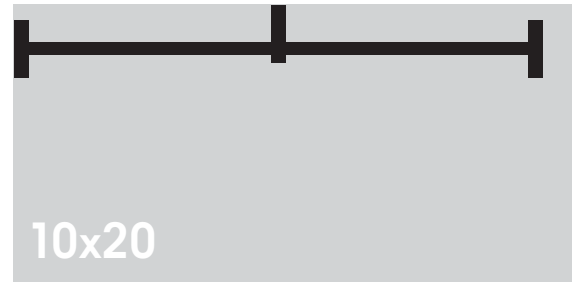
Double sided wall storage provides a premium in storage space vs. overall store square footage.



10x10 space
Back wall

Dims:
2743mm W (9')
2438mm H (8')

Panels:
4 mywall

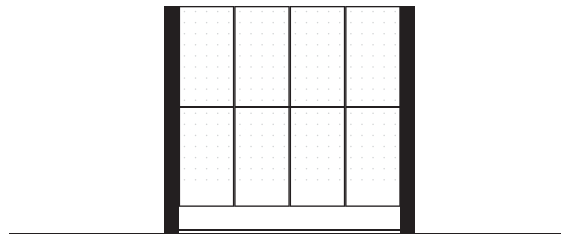


10x20 space
Back wall

Dims:
5791mm W (19')
2438mm H (8')

Panels:
9 mywall

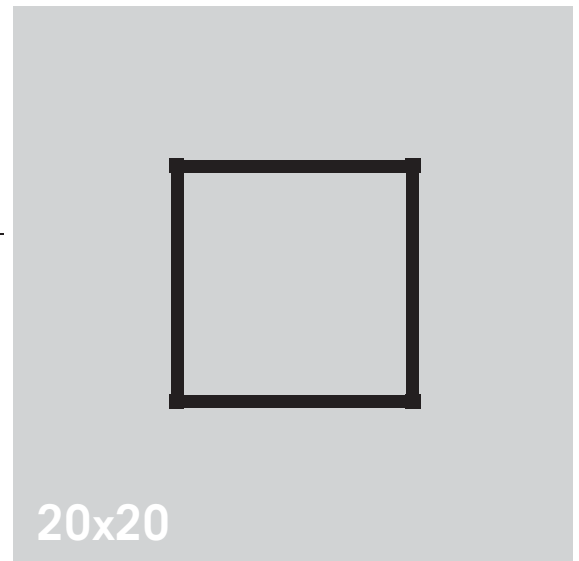
Island cubical setup provides instant dressing room with surrounding storage.



20x20 space
Island System

Dims:
2743mm W (9')
2438mm H (8')

Panels:
16 mywall



20x20

myWall.

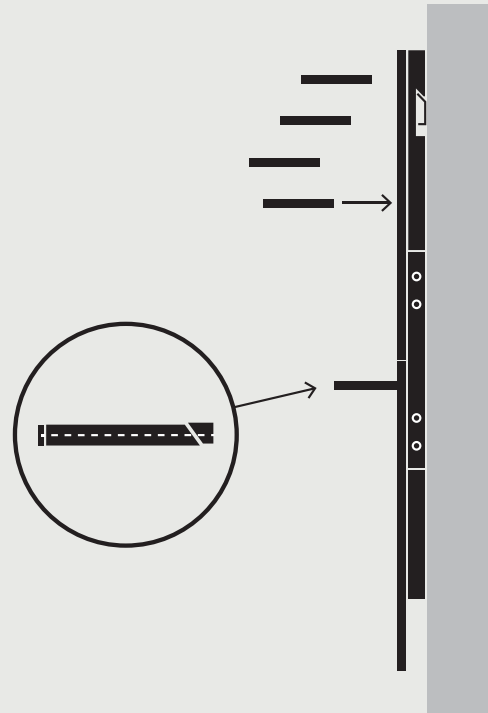
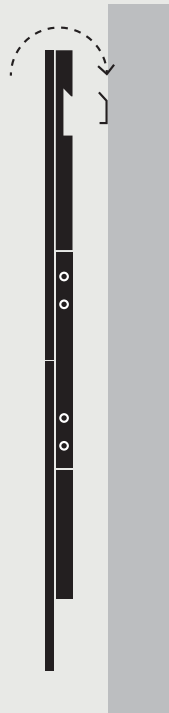
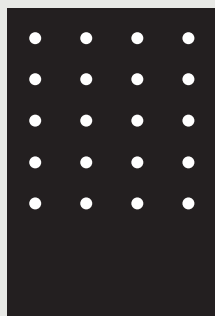
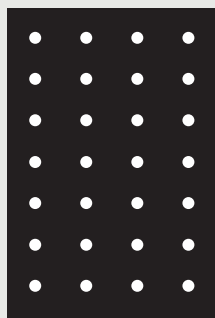
HOW THE SYSTEM WORKS

myWall locking pin system

This patent pending locking pin system allows users to use both the front or the back of the wall panels for product display, storage, and marketing surface.

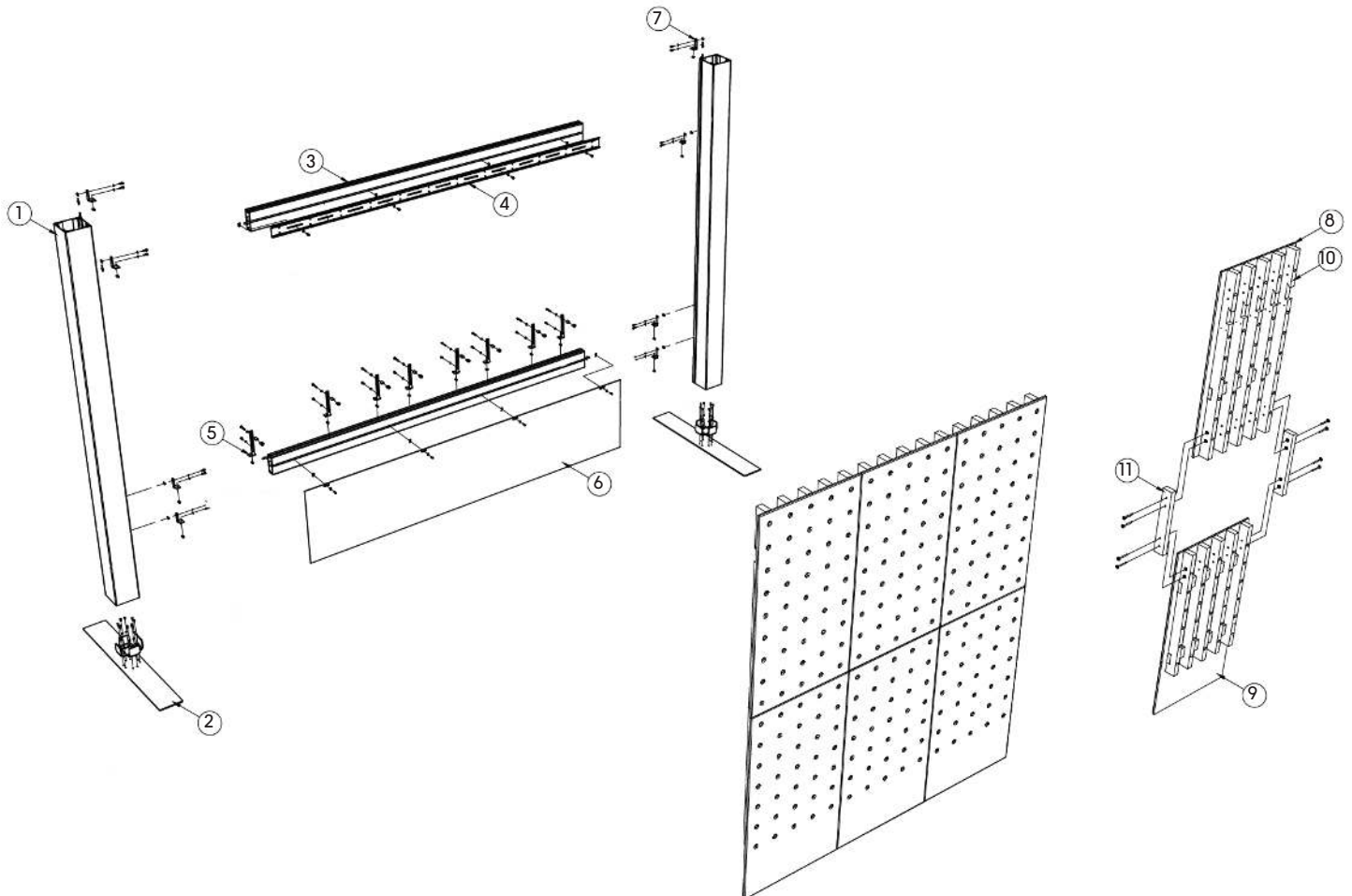
With the use of locking pins, the structure becomes a safe display surface for multiple objects on display.

Pins work on both the front and back of the wall system, providing extra storage behind your wall.

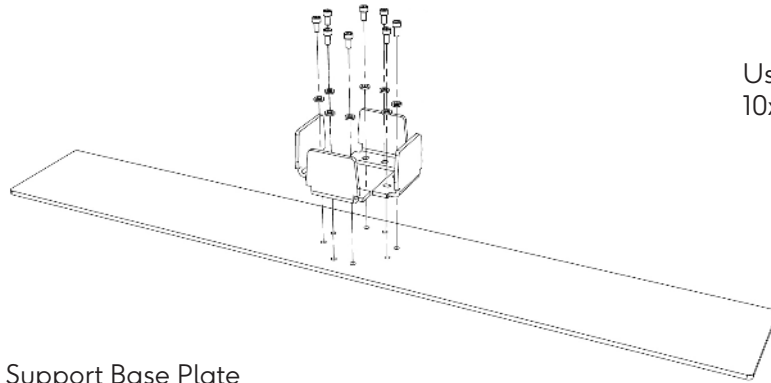


Product Items List

- | | |
|----|------------------------------|
| 1 | Vertical Tower Support |
| 2 | Support Base Plate |
| 3 | Horizontal Support Beam |
| 4 | French Cleat Bracket |
| 5 | Lower Wall Locking Plate |
| 6 | Skirt |
| 7 | Horizontal Support Bracket |
| 8 | myWall upper panel |
| 9 | myWall lower panel |
| 10 | myWall vertical support |
| 11 | myWall upper/lower connector |



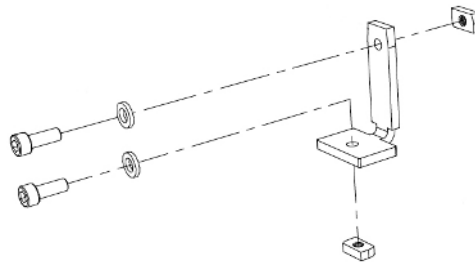
ITEMS



Used as base for 10x10 and 10x20 inline wall units

2

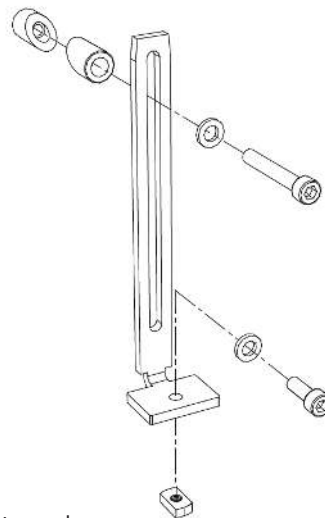
Support Base Plate



Used for locking horizontal supports onto vertical tower supports.

7

Horizontal Support Bracket

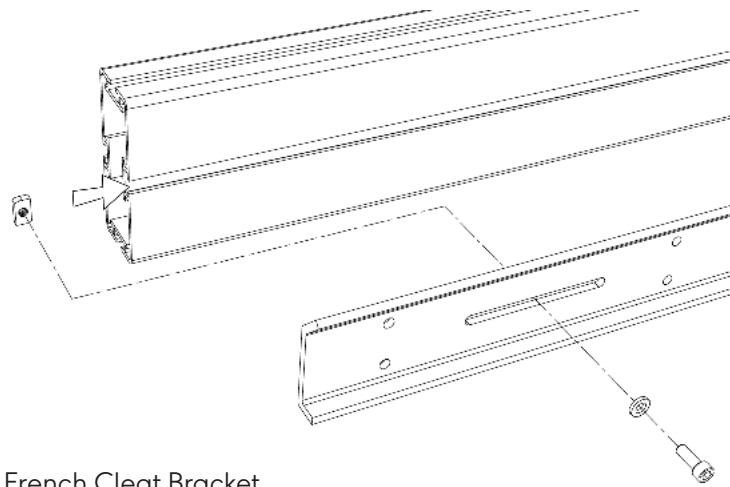


Used for locking lower section of myWall panels into the lower horizontal support beam

5

Lower wall locking plate

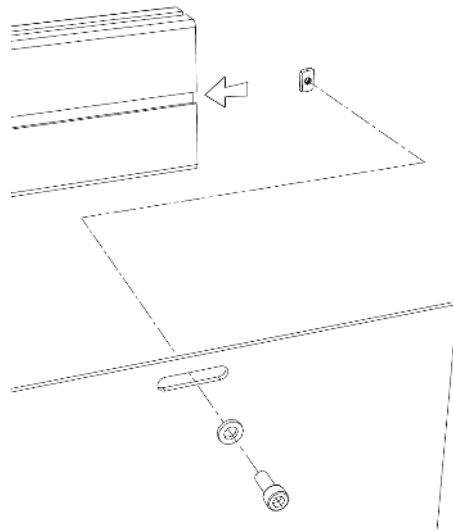
ITEMS



Cleat is used to hold myWall panels and is mounted directly to upper horizontal support beam.

4

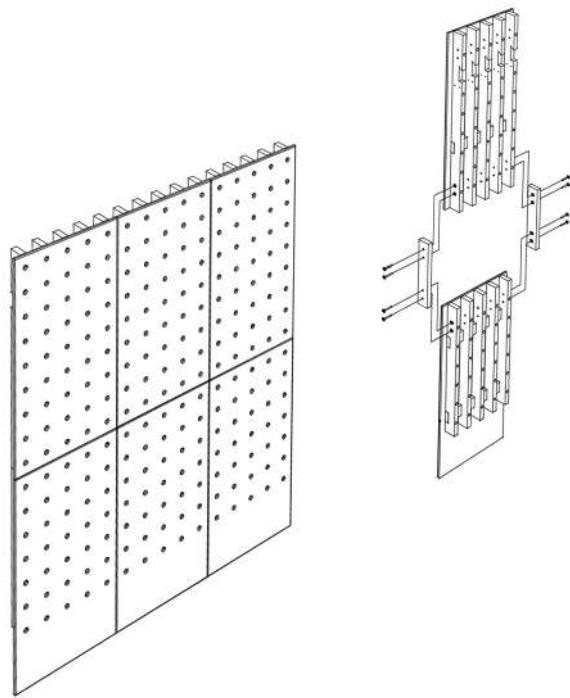
French Cleat Bracket



Lower skirt mounts directly to lower horizontal support beam.

6

Skirt



myWall panels attach as an upper and lower section, that then hang onto upper horizontal support beam with the use of the french cleat.

8/9

myWall Panels (upper / lower sections)

RENEWABLE RESOURCES

The myWall system uses rubber wood, a renewable and sustainable byproduct of the latex industry.

Reduce: We work with our manufacturing partners to ensure we are leaving as small a carbon footprint as possible.

Re-use: Our products are durable and designed to last, cutting down the need to discard our products and purchase new ones.

Recycle: Our products and components use recyclable materials.



myWall is a registered trademark and patent pending design of Thinkterior Studio Pte Ltd, Singapore.

All Rights Reserved.
©2017



AdaptivDC
42395 Ryan Road
Suite 112 / PMB 212
Ashburn, VA 20148

703. 929. 3229
hello@adaptivdc.com
adaptivdc.com